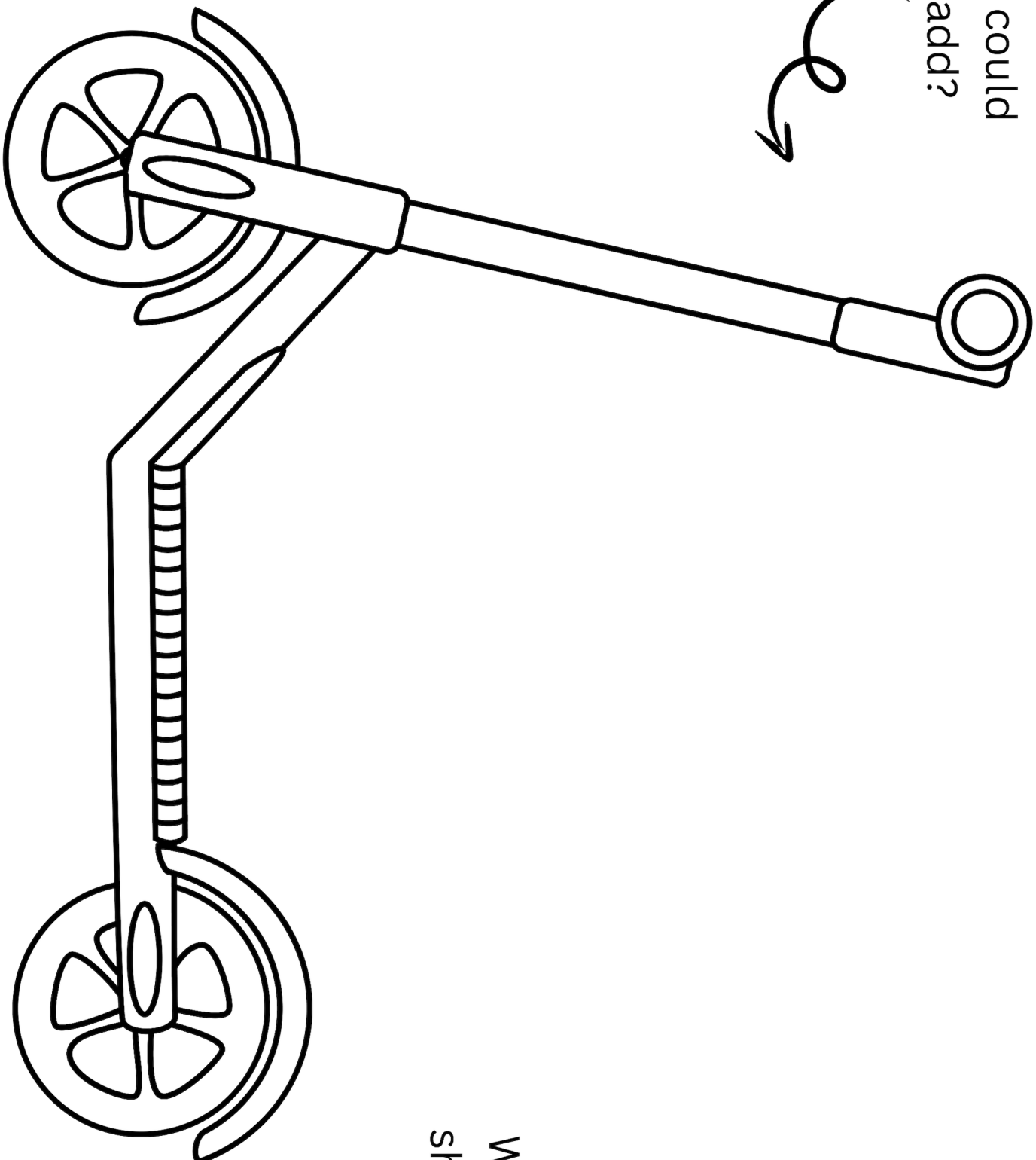
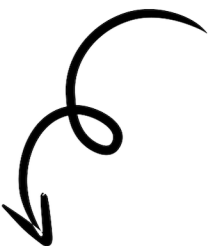


What could  
you add?



What colour  
should it be?

